

Rack Adapter Panel

GRA-443



Assembly Manual

GW INSTEK PART NO. 82RA-44300M01

This assembly manual contains proprietary information, which is protected by copyrights. All rights are reserved. No part of this manual may be photocopied, reproduced or translated to another language without prior written consent of Good Will company.

The information in this manual was correct at the time of printing. However, Good Will continues to improve products and reserves the rights to change specification, equipment, and maintenance procedures at any time without notice.

Good Will Instrument Co., Ltd.
No. 7-1, Jhongsing Rd., Tucheng Dist., New Taipei City 236, Taiwan.



ISO-9001 CERTIFIED MANUFACTURER

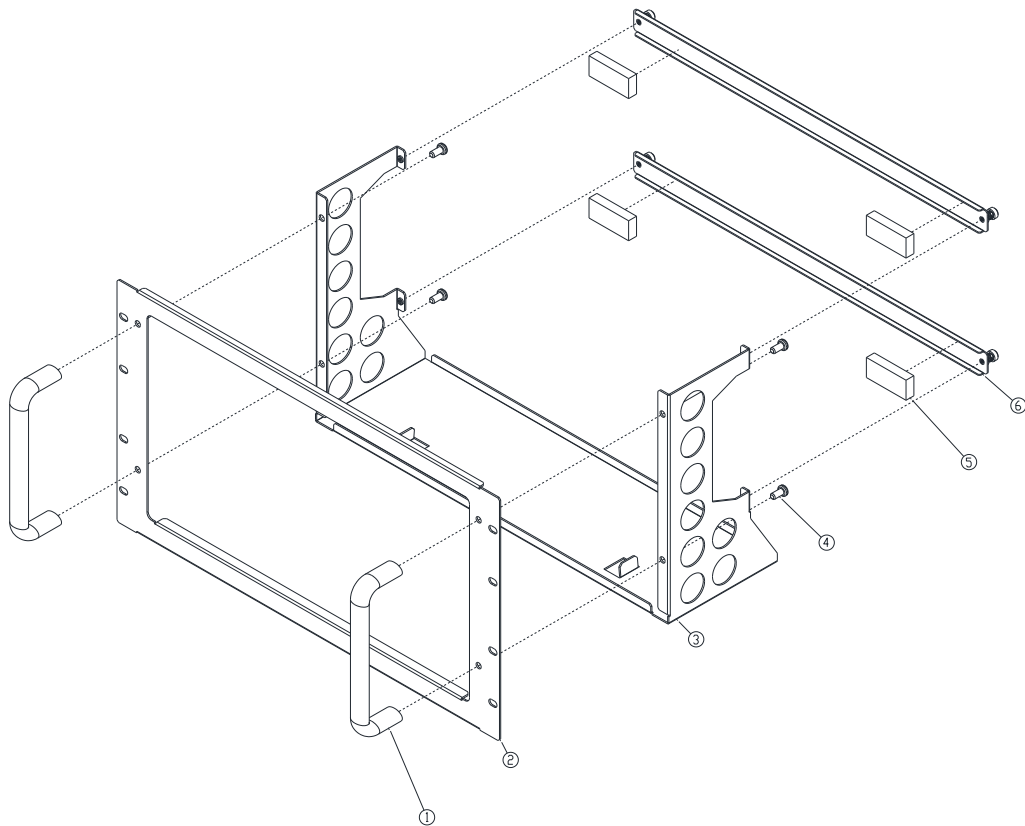
GW INSTEK

GRA-443

Rack Mount Adapter Component List and Assembly

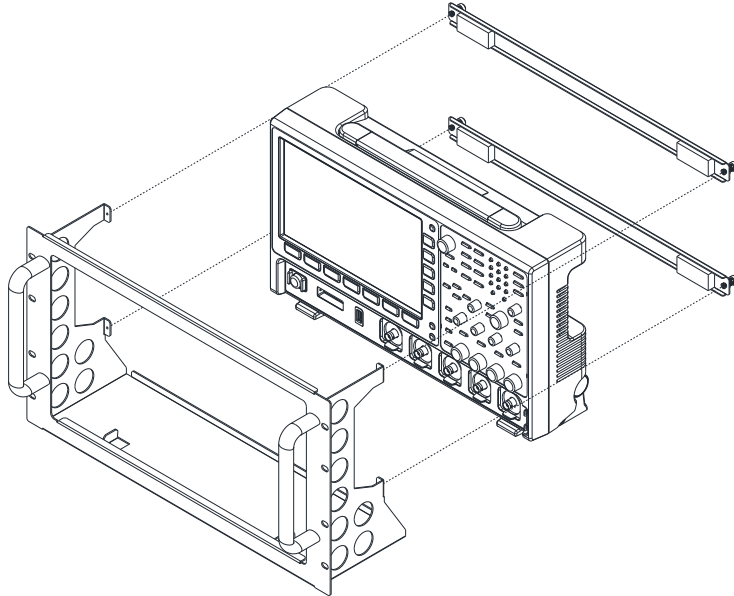
Description Please check to make sure all the components of the GRA-443 rack mount kit are provided.

GRA-443 Assembly	Item	Part NO.	Description	QTY
	1	62RA-411HD101	U-shaped handle	2
	2	62RA-443FP101	443-RACK-FP	1
	3	62RA-443LO101	443-RACK-LO	1
	4	594B-06012ZS1	M6*12 SCREW	4
	5	57RG-20B01901	Foam	4
	6	62RA-443HP101	443-RACK-HP	2



Assembly

Setup diagram



Note

After pushing the device into the RACK tray, fix two 443-RACK-HP to 443-RACK-LO (there are screws on RACK-HP can be fixed by hand as shown in the red arrow in the picture above).

Front view

GRA-443

