

# Rack Adapter Panel

GRA-437



## Assembly Manual

GW INSTEK PART NO. 82RA-43700M01

This assembly manual contains proprietary information, which is protected by copyrights. All rights are reserved. No part of this manual may be photocopied, reproduced or translated to another language without prior written consent of Good Will company.

The information in this manual was correct at the time of printing. However, Good Will continues to improve products and reserves the rights to change specification, equipment, and maintenance procedures at any time without notice.

Good Will Instrument Co., Ltd.  
No. 7-1, Jhongsing Rd., Tucheng Dist., New Taipei City 236, Taiwan.



ISO-9001 CERTIFIED MANUFACTURER

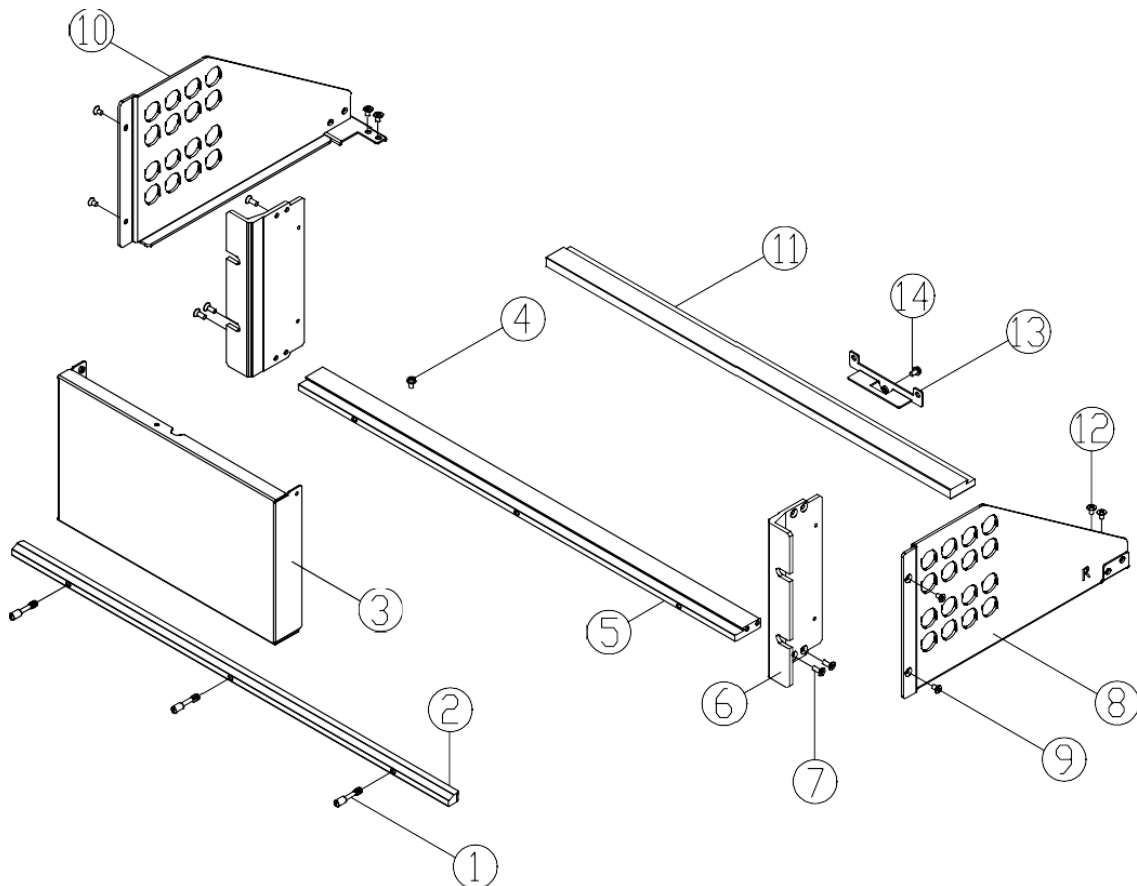
**GW INSTEK**

# GRA-437

The GRA-437 rack mount is suited for the GPP Programmable DC Power Supplies. The GRA-437 supports both the EIA (GRA-437-E) and JIS (GRA-437-J) standards for use with standard sized rack units.

## Rack Mount Adapter Component List and Assembly

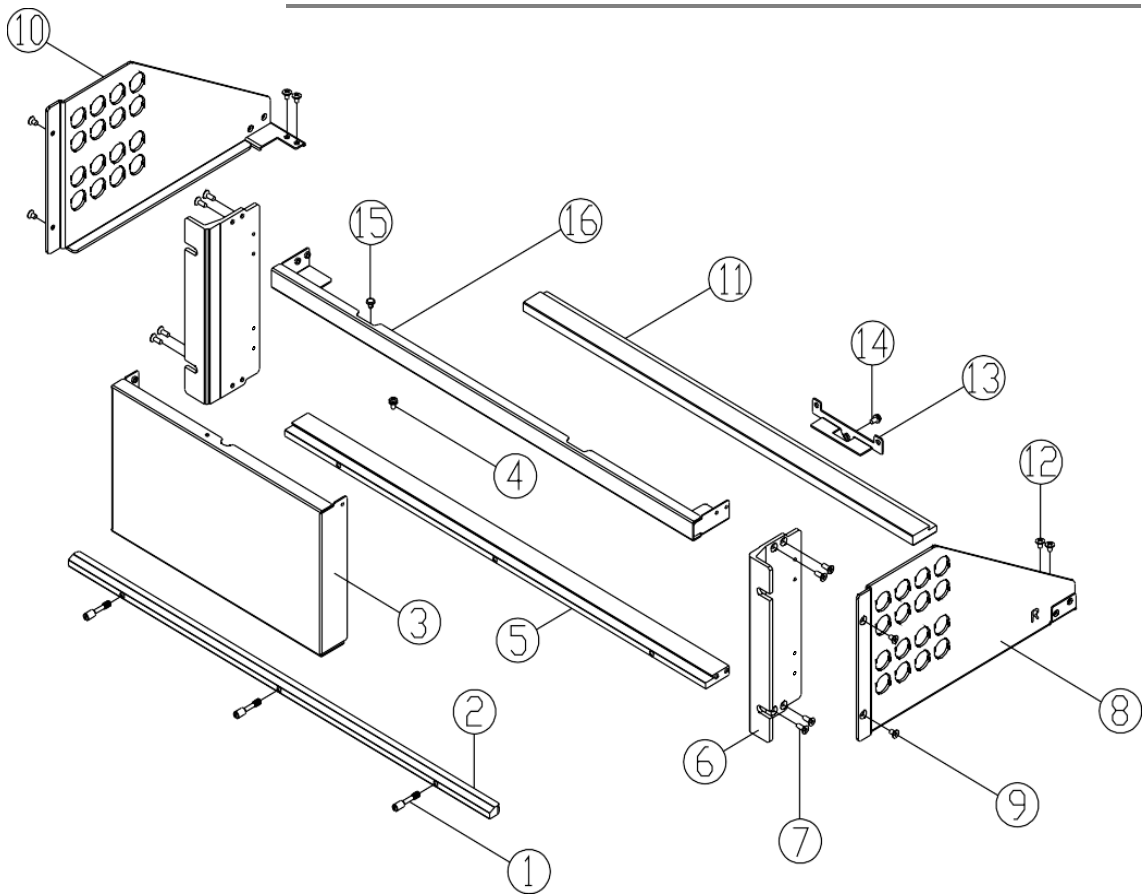
**Description** Please check to make sure all the components of the GRA-437 rack mount kit are provided. The JIS and EIA rack mounts have slightly different component sets.



GRA-437-E

GRA-437-E Assembly	Item	Part NO.	Description	QTY
	1	59CA-04017NS1	RACK SCREW	3
	2	62RA-410HP2A1	FRONT BRACKET	1

3	62RA-414HP201	BLANK PANEL	1
4	592B-W3008NS1	PMS-W-3*8	1
5	62RA-410HP101	MIDDLE BRACKET	1
6	62RA-410HPAA1	EIA BRACKET 3U	2
7	593B-03008NS1	FMS 3*8	5
8	62RA-437HP101	RIGHT BRACKET	1
9	593B-03005NS1	FMS 3*5	4
10	62RA-437HP201	LEFT BRACKET	1
11	62RA-410HP3A1	REAR BRACKET	1
12	599B-03006NS1	IMS 3*6	4
13	62RA-437HP301	RACK HP	2
14	594B-W3008NS1	BMS-W3*8	2



GRA-437-J

**GRA-437-J  
Assembly**

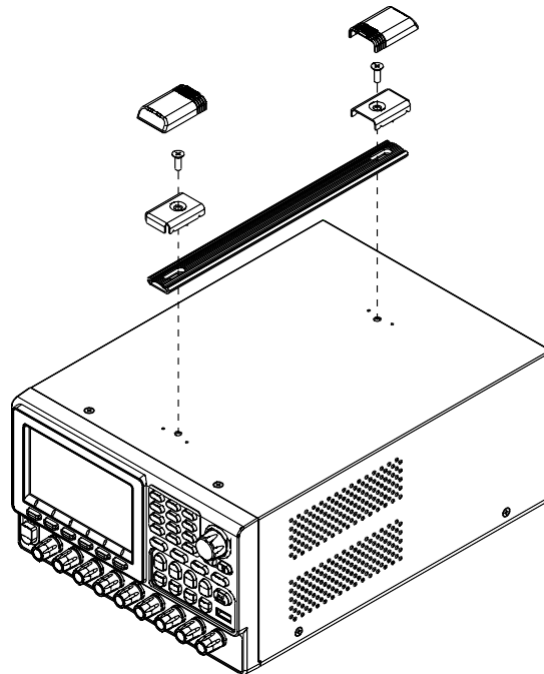
Item	Part NO.	Description	QTY
1	59CA-04017NS1	RACK SCREW	3
2	62RA-410HP201	FRONT BRACKET	1
3	62RA-414HP201	BLANK PANEL	1
4	592B-W3008NS1	PMS-W-3*8	1
5	62RA-410HP101	MIDDLE BRACKET	1
6	62RA-410HPBA1	JIA BRACKET 3U	2
7	593B-03008NS1	FMS 3*8	8
8	62RA-437HP101	RIGHT BRACKET	1
9	593B-03005NS1	FMS 3*5	4
10	62RA-437HP201	LEFT BRACKET	1
11	62RA-410HP3A1	REAR BRACKET	1

12	599B-03006NS1	IMS 3*6	4
13	62RA-437HP301	RACK HP	2
14	594B-W3008NS1	BMS-W3*8	2
15	5320-00403011	SR-3S	1
16	62RA-414HP301	Top Bracket	1

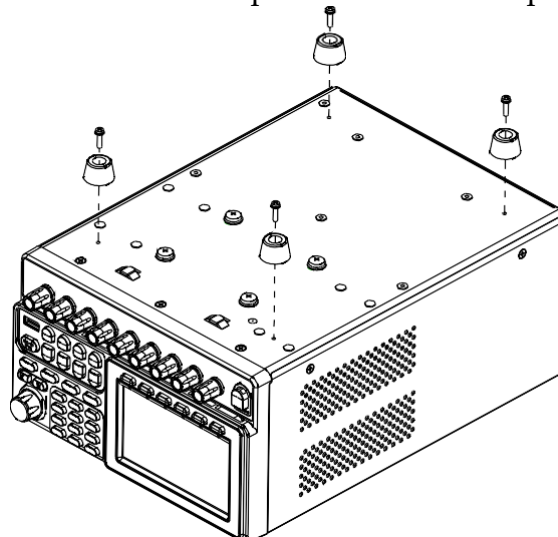
## Assembly

### Initial setup

1. Remove the handle from the GPP power supply.
  - Remove the handle cover.
  - Remove the screws securing the handle to the case.
  - Remove the handle.

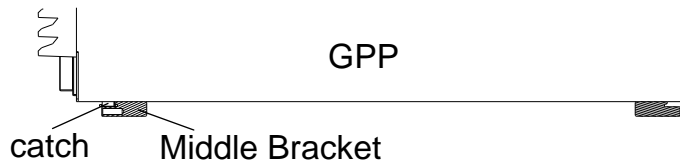


2. Remove the foot pads from the GPP power supply.

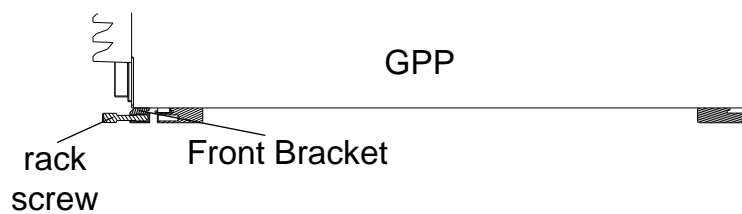


Instrument  
insertion

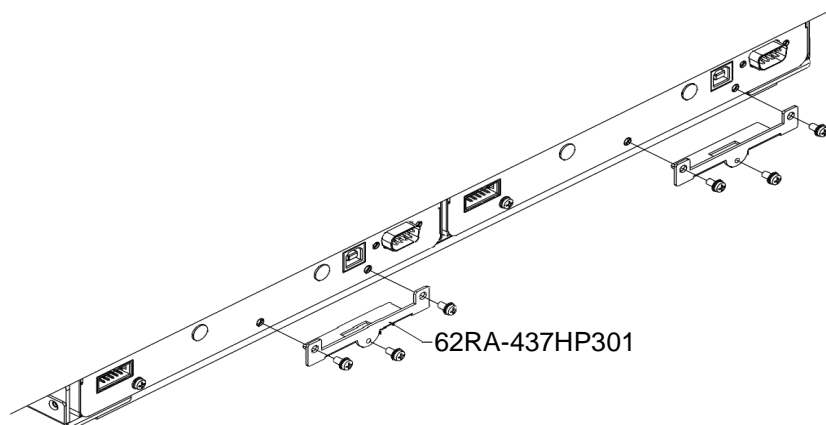
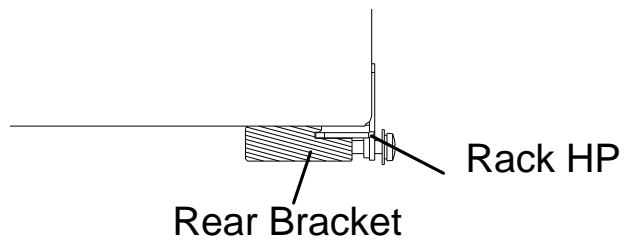
1. Ensure the Middle Bracket is latched onto the catch on the underside of the GPP.



2. Attach the Front Bracket to the Middle Bracket with the rack screws.

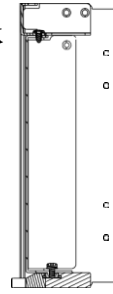


3. Secure the Rack Holding Plates (Rack HP) to the groove on the Rear Bracket and to the instrument(s).



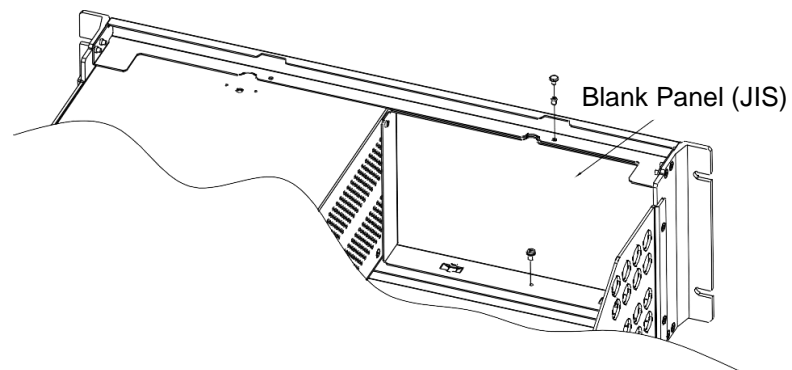
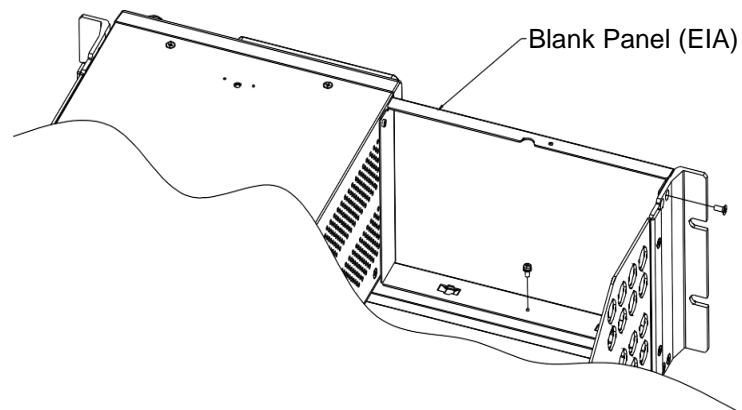
**Blank panel  
insertion**

1. Insert the required number of blank panels into the groove of the Front and Middle Brackets.



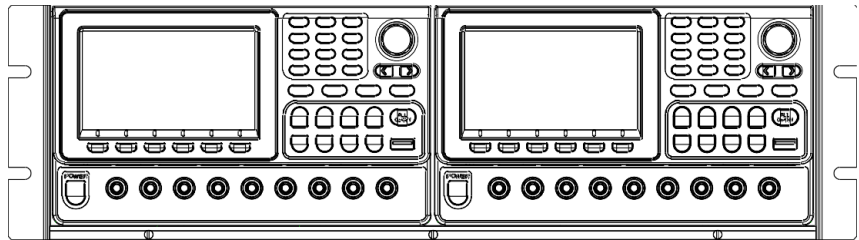
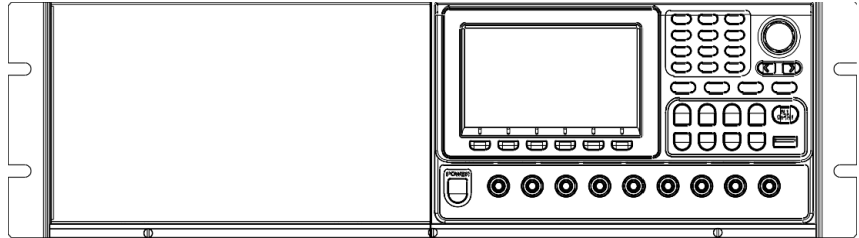
2. Secure the panels with the PMS-W-3\*8 screws.

Use the SR-3S pins to hold two adjacent brackets together.

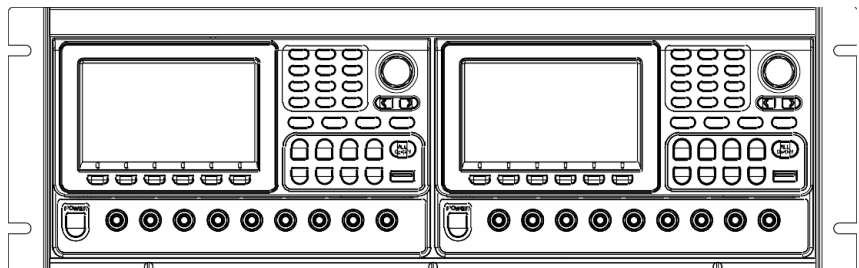
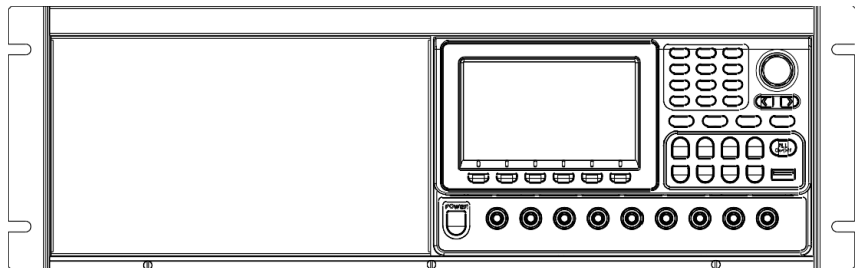


# Front View

GRA-437-E



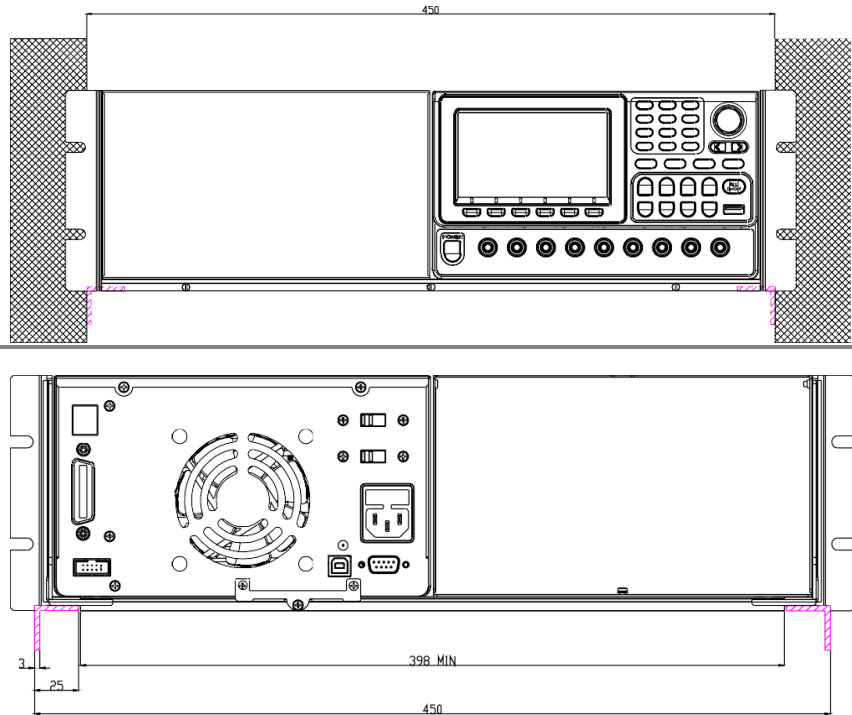
GRA-437-J



# Specification

Load Capacity    Max 20kg

Rack installation  
Diagram



Note                      The minimum width that is needed to be supported on the L-brackets.