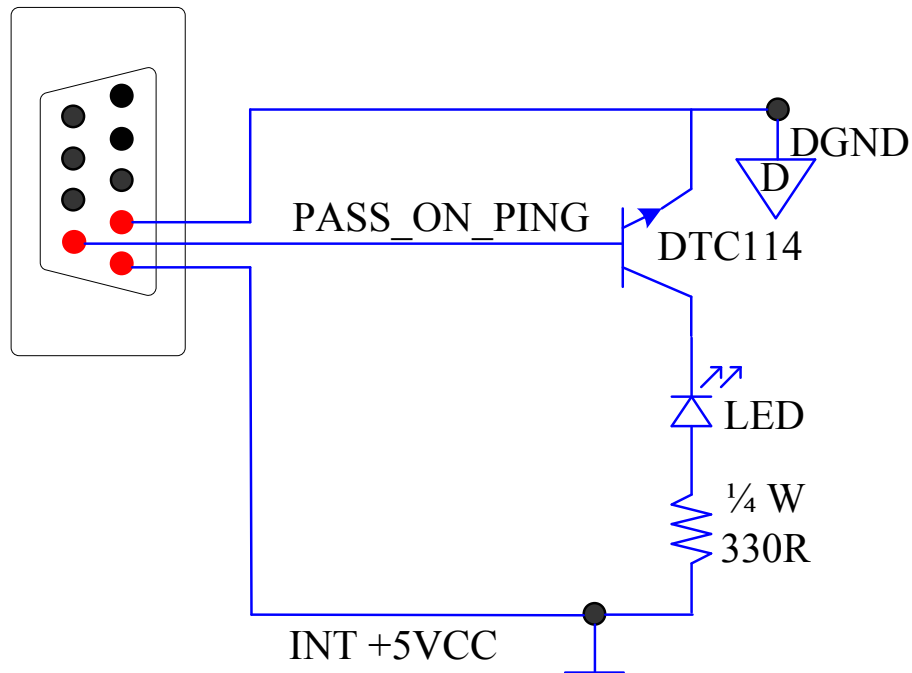


Driving the external device with Handler Interface

Example: Using the PASS signal with circuit to drive an external LED.



Note1: If the LED is too bright, change resistor to 470R instead of 330R

Note2: Recommending use the NPN digital transistor with pull high resistor inside.

Please Notice: The handler function must be turned on which the indicator HAD will light up on the left side of front panel. In the main time, the trigger will become EXT, which means push to measure.

