

Rack Adapter Panel

GRA-429

GW INSTEK

Assembly Manual

GW INSTEK PART NO. 82RA-42900M01

This assembly manual contains proprietary information, which is protected by copyrights. All rights are reserved. No part of this manual may be photocopied, reproduced or translated to another language without prior written consent of Good Will company.

The information in this manual was correct at the time of printing. However, Good Will continues to improve products and reserves the rights to change specification, equipment, and maintenance procedures at any time without notice.

Good Will Instrument Co., Ltd.
No. 7-1, Jhongsing Rd., Tucheng Dist., New Taipei City 236, Taiwan.



ISO-9001 CERTIFIED MANUFACTURER

GW INSTEK

GRA-429

The GRA-429 rack mount is suited for use with the APS-7200 AC power sources. Only one power source can be used with the GRA-429 rack adapter. The GRA-429 will accommodate a 7U-sized rack.

Rack Mount Adapter Component List

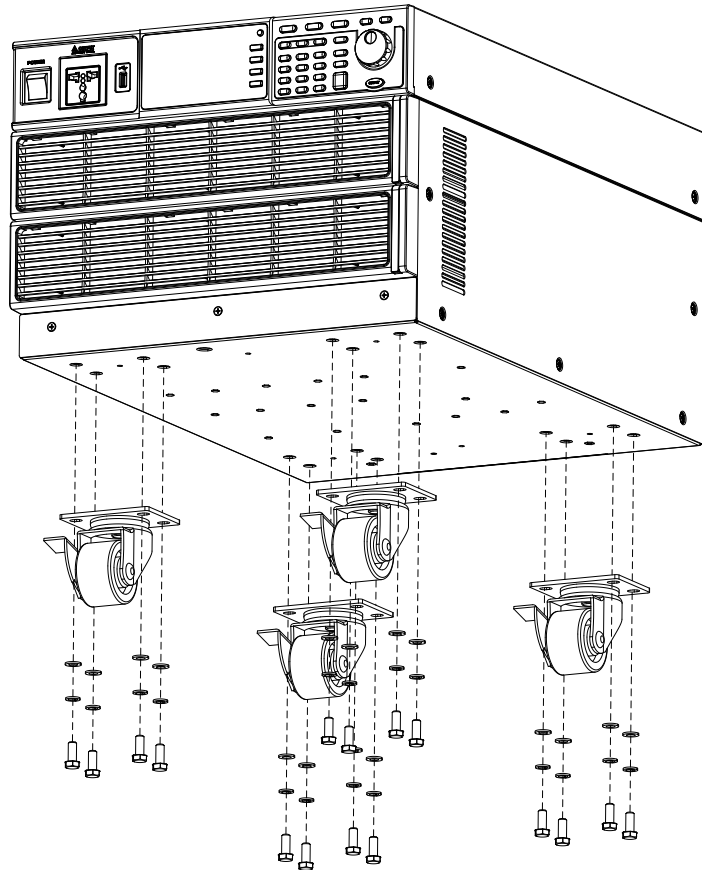
Description Please check to make sure all the components of the GRA-429 rack mount kit are provided.

Item	Part NO.	Description	QTY
1	594B-W4012NS1	SCREW BMS, 4*12, ISO, N (WASHER P.S), RoHS	6
2	62RA-429HP101	GRA-429 7U LEFT BRACKET, RoHS	1
3	62RA-429HP201	GRA-429 7U RIGHT BRACKET, RoHS	1

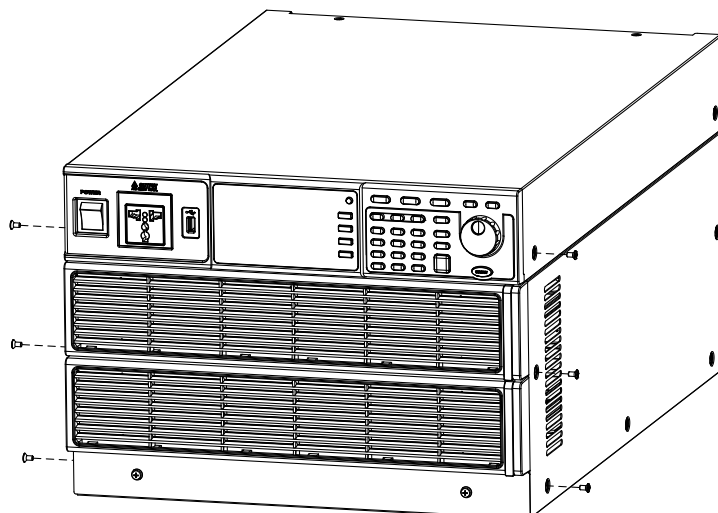
Assembly

Initial setup

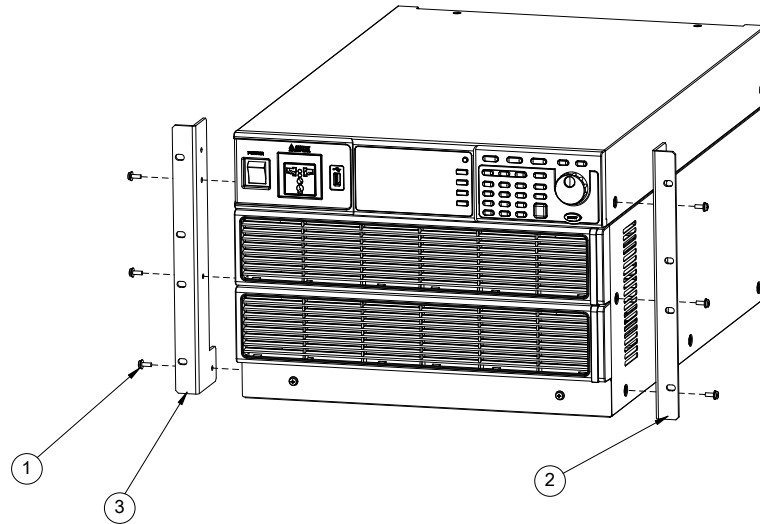
1. Remove the four wheel casters from the APS-7200 as shown in the below diagram.



2. Remove the six screws located on each side panel of the APS-7200 as shown in the below diagram.



3. Screw the left bracket (62RA-429HP101) to the left side panels of the APS-7200 and right bracket (62RA-429HP201) to the right side panel of the APS-7200 using the six (594B-W4012NS1) screws as shown in the below diagram.



Specification

Rack Dimensions APS-7200

