

# Rack Adapter Panel

GRA-441



## Assembly Manual

GW INSTEK PART NO. 82RA-44100M01

This assembly manual contains proprietary information, which is protected by copyrights. All rights are reserved. No part of this manual may be photocopied, reproduced or translated to another language without prior written consent of Good Will company.

The information in this manual was correct at the time of printing. However, Good Will continues to improve products and reserves the rights to change specification, equipment, and maintenance procedures at any time without notice.

Good Will Instrument Co., Ltd.  
No. 7-1, Jhongsing Rd., Tucheng Dist., New Taipei City 236, Taiwan.



ISO-9001 CERTIFIED MANUFACTURER

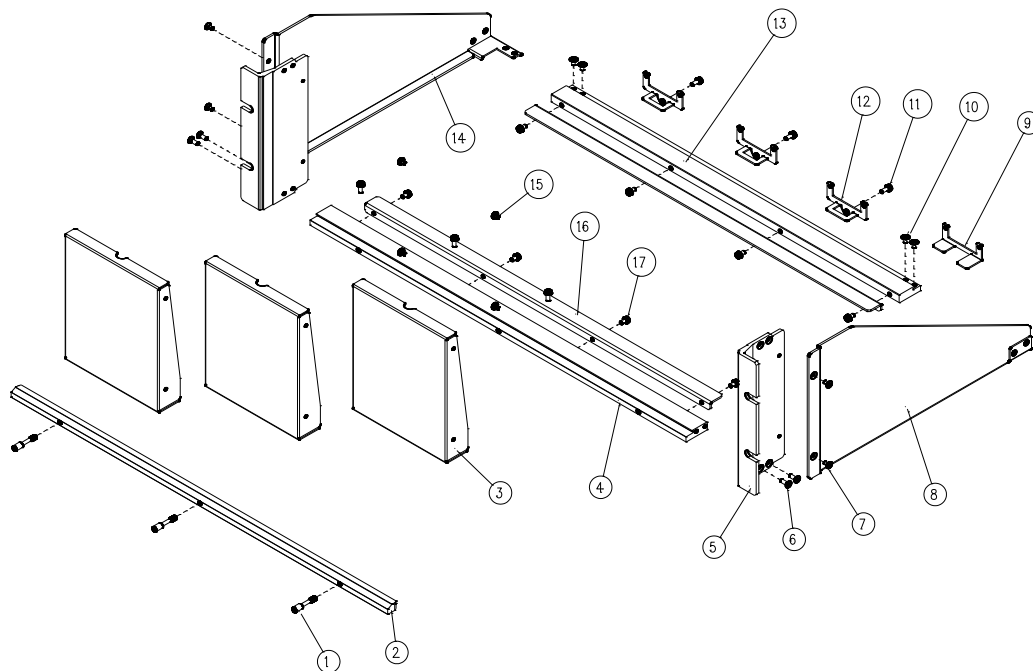
**GW INSTEK**

# GRA-441

The GRA-441 rack mount is suited for the PPX DC Power Supply Series. The GRA-441 supports both the EIA (GRA-441-E) and JIS (GRA-441-J) standards for use with standard sized rack units.

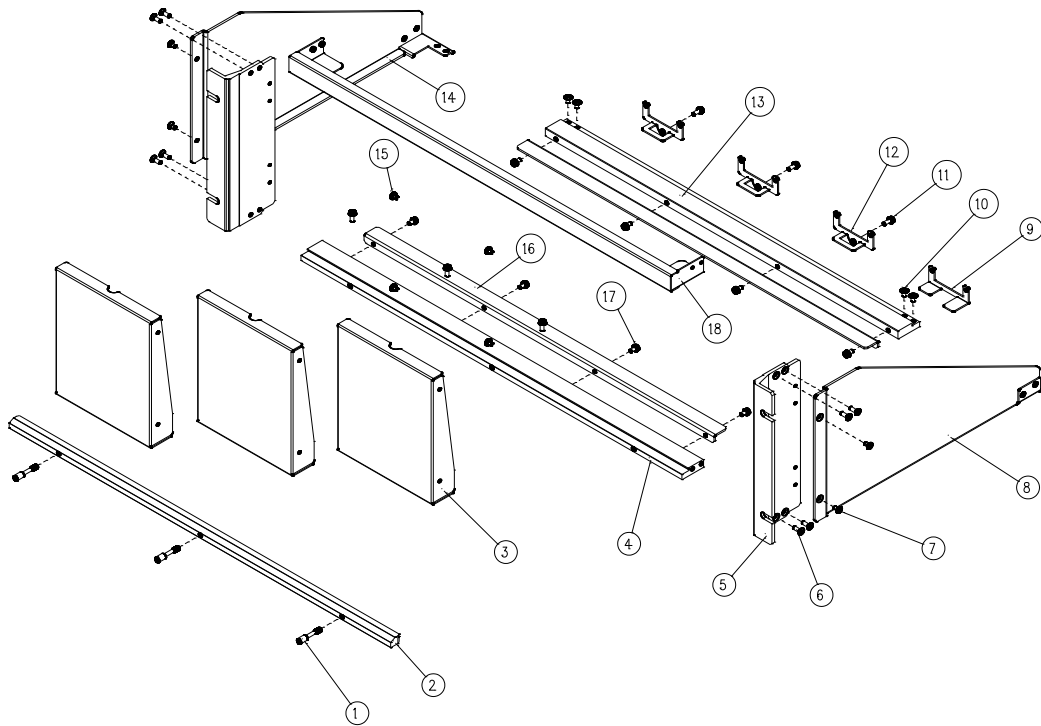
## Rack Mount Adapter Component List and Assembly

**Description** Please check to make sure all the components of the GRA-441 rack mount kit are provided. The JIS and EIA rack mounts have slightly different component sets.



GRA-441-E Assembly	Item	Part NO.	Description	QTY
	1	59CA-04017NS1	SCREW ROTATION , - ,M4*17*0.7P ,L=25 3 ISO N RoHS	3
	2	62RA-410HP2A1	CA GRA-410 FRONT BRACKET ,RoHS	1
	3	62RA-441HP401	*CA GRA-441 BLANK PANEL ,RoHS	3
	4	62RA-410HP1A1	CA GRA-410 MIDDLE BARCKET ,RoHS	1
	5	62RA-410HPAA1	CA GRA-410-E 3U BRACKET ,RoHS	2
	6	593B-03008NS1	SCREW FMS ,3*8*0.5m/m ,ISO ,N ,RoHS	4
	7	593B-03005NS1	SCREW FMS ,+ ,3*5 ,ISO ,N ,RoHS	4

8	62RA-441HP201	*CA GRA-441 RIGHT BRACKET ,RoHS	1
9	62RA-410HPD01	CA GRA-410 RACK HP ,RoHS	1
10	599B-03006NS1	SCREW IMS ,+ ,3*6 ,ISO ,N ,RoHS	4
11	592B-W3008NS1	SCREW PMS ,+ ,M3*8 ISO ,N (WASHER P.S) ,RoHS	6
12	62RA-410HP9A1	CA GRA-410 RACK HP ,RoHS	3
13	62RA-410HP3B1	CA GRA-410 REAR BRACKET ,RoHS	1
14	62RA-441HP101	*CA GRA-441 LEFT BRACKET ,RoHS	1
15	5320-00403011	SNAP RIVET SR3-3.5 ,BLACK ,KY ,RoHS	4
16	62RA-441HP301	*CA GRA-441 HOLDER ,RoHS	2
17	592B-W3006NS1	SCREW PMS ,+ ,3*6*0.5P ,ISO ,N (WASHER P.S) ,RoHS	8



GRA-441-J Assembly		Item	Part NO.	Description	QTY
		1	59CA-04017NS1	SCREW ROTATION , - ,M4*17*0.7P ,L=25 ISO N RoHS	3
		2	62RA-410HP2A1	CA GRA-410 FRONT BRACKET ,RoHS	1
		3	62RA-441HP401	*CA GRA-441 BLANK PANEL ,RoHS	3
		4	62RA-410HP1A1	CA GRA-410 MIDDLE BARCKET ,RoHS	1
		5	62RA-410HPBA1	CA GRA-410-J 3U BRACKET ,RoHS	2
		6	593B-03008NS1	SCREW FMS ,3*8*0.5m/m ,ISO ,N ,RoHS	8
		7	593B-03005NS1	SCREW FMS ,+ ,3*5 ,ISO ,N ,RoHS	4
		8	62RA-441HP201	*CA GRA-441 RIGHT BRACKET ,RoHS	1
		9	62RA-410HPD01	CA GRA-410 RACK HP ,RoHS	1
		10	599B-03006NS1	SCREW IMS ,+ ,3*6 ,ISO ,N ,RoHS	4
		11	592B-W3008NS1	SCREW PMS ,+ ,M3*8 ISO ,N (WASHER P.S) ,RoHS	6
		12	62RA-410HP9A1	CA GRA-410 RACK HP ,RoHS	3
		13	62RA-410HP3B1	CA GRA-410 REAR BRACKET ,RoHS	1

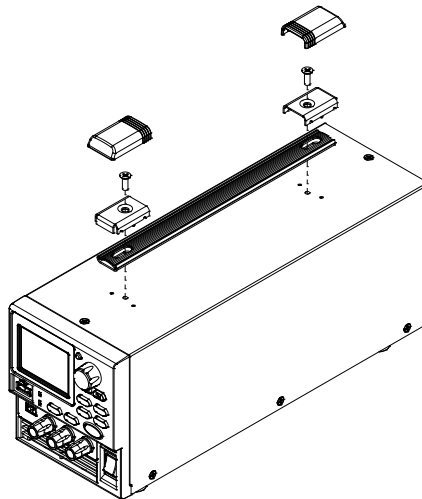
14	62RA-441HP101	*CA GRA-441 LEFT BRACKET ,RoHS	1
15	5320-00403011	SNAP RIVET SR3-3.5 ,BLACK ,KY ,RoHS	4
16	62RA-441HP301	*CA GRA-441 HOLDER ,RoHS	2
17	592B-W3006NS1	SCREW PMS ,+ ,3*6*0.5P ,ISO ,N (WASHER P.S) ,RoHS	8
18	62RA-410HPC01	CA GRA-410-J TOP BRACKET ,RoHS	1

## Assembly

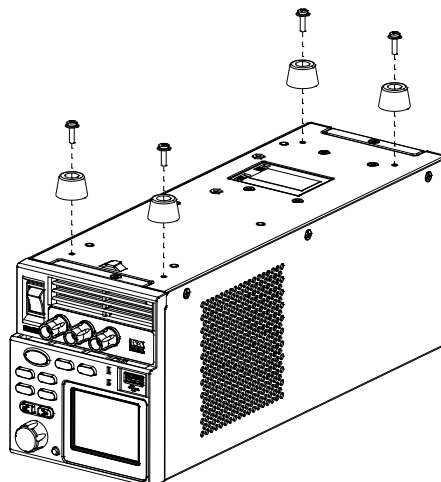
### Initial setup

1. Remove the handle (from) the unit.

- Remove the handle cover.
- Remove the screws securing the handle to the case.
- Remove the handle.

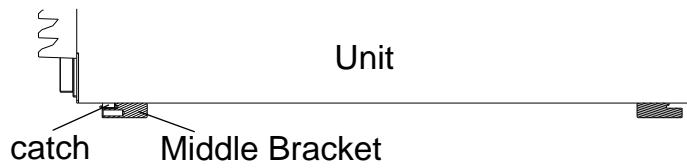


2. Remove the feet from the underside of the unit.

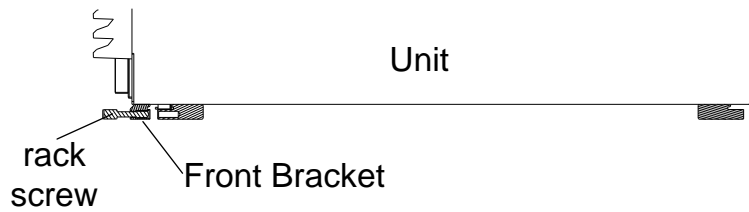


Instrument  
insertion

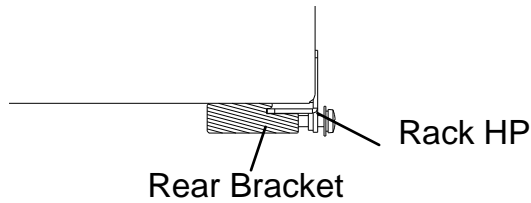
1. Ensure the Middle Bracket is latched onto the catch on the underside of the unit.



2. Attach the Front Bracket to the Middle Bracket with fastening the rack screws.

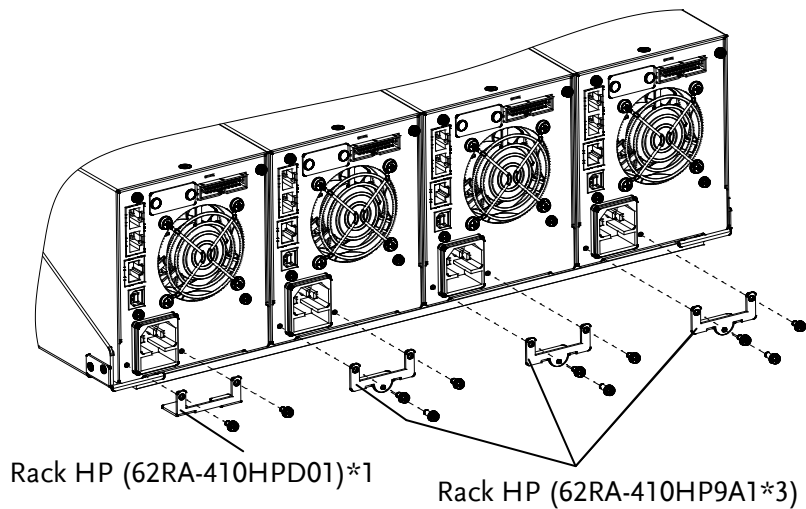


3. Secure the Rack Holding Plates (Rack HP) to the groove on the Rear Bracket and to the unit



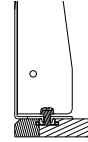
Rear panel  
illustration

Ensure the Rack HP is fixed on the rear panel with rack screws as shown below.

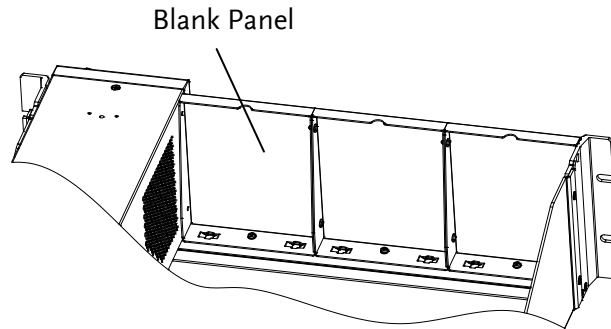


Blank panel  
insertion

1. Insert the blank panel into the groove of the Front and Middle Brackets.

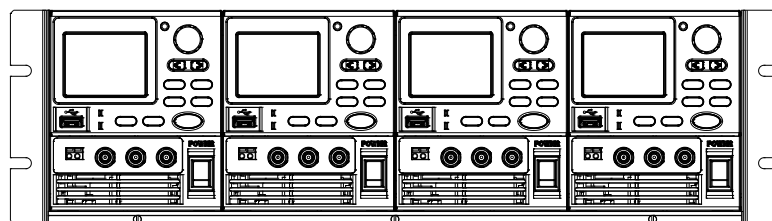
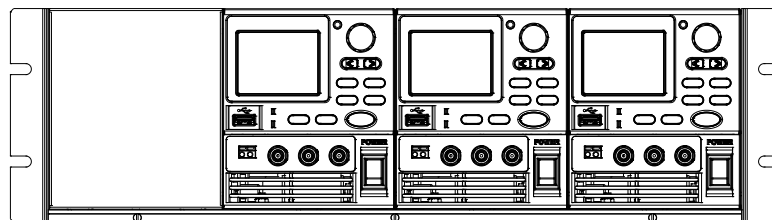
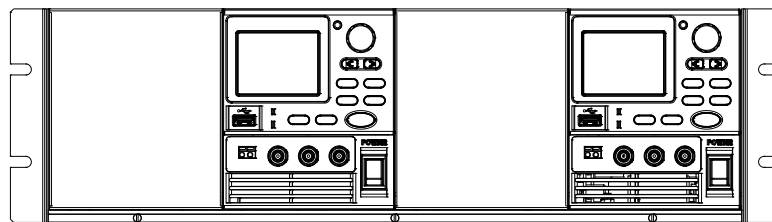
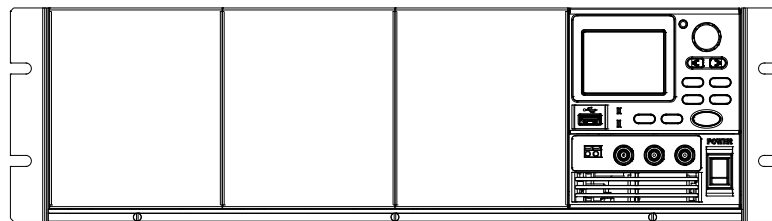


2. Secure the panel with the PMS-W-3\*8 screws.

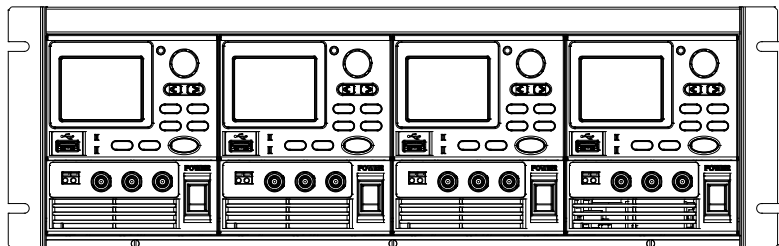
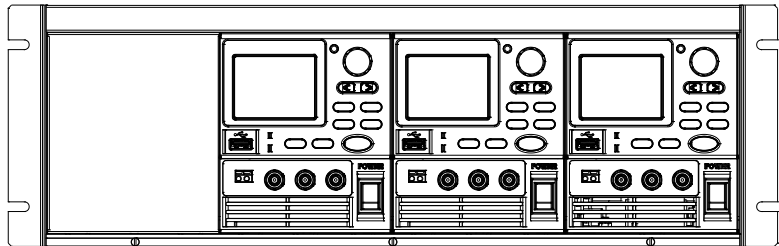
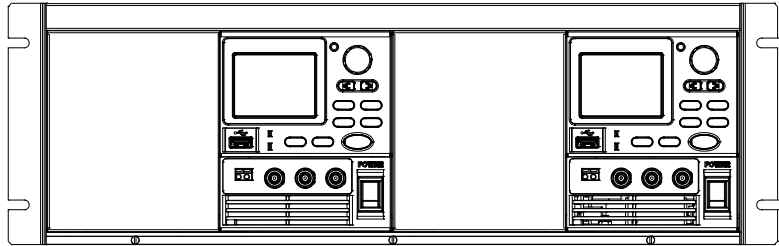
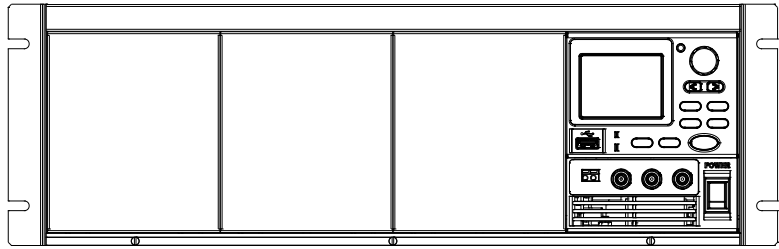


# Appearance

GRA-441-E



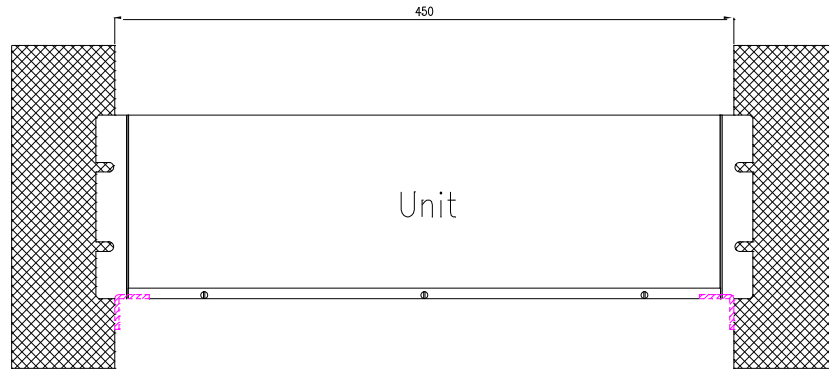
GRA-441-J



# Specification

Load Capacity    Max 20kg

Rack installation  
Diagram



Please note the minimum width that is needed to be supported on the L-brackets.

