

# Rack Adapter Panel

GRA-408



## Assembly Guide

GW INSTEK PART NO. 82RA-40800M01

This assembly manual contains proprietary information, which is protected by copyrights. All rights are reserved. No part of this manual may be photocopied, reproduced or translated to another language without prior written consent of Good Will company.

The information in this manual was correct at the time of printing. However, Good Will continues to improve products and reserves the rights to change specification, equipment, and maintenance procedures at any time without notice.

Good Will Instrument Co., Ltd.

No. 7-1, Jhongsing Rd., Tucheng City, Taipei County 236, Taiwan. Tel: 886-2-2268-0389 Fax: 886-2-2268-1900

No. 69, Lu San Road, Suzhou City (Xin Qu), Jiangsu Sheng, China Tel: 286-512-66617177 Fax: 286-512-66617277



ISO-9001 CERTIFIED MANUFACTURER

**GW INSTEK**



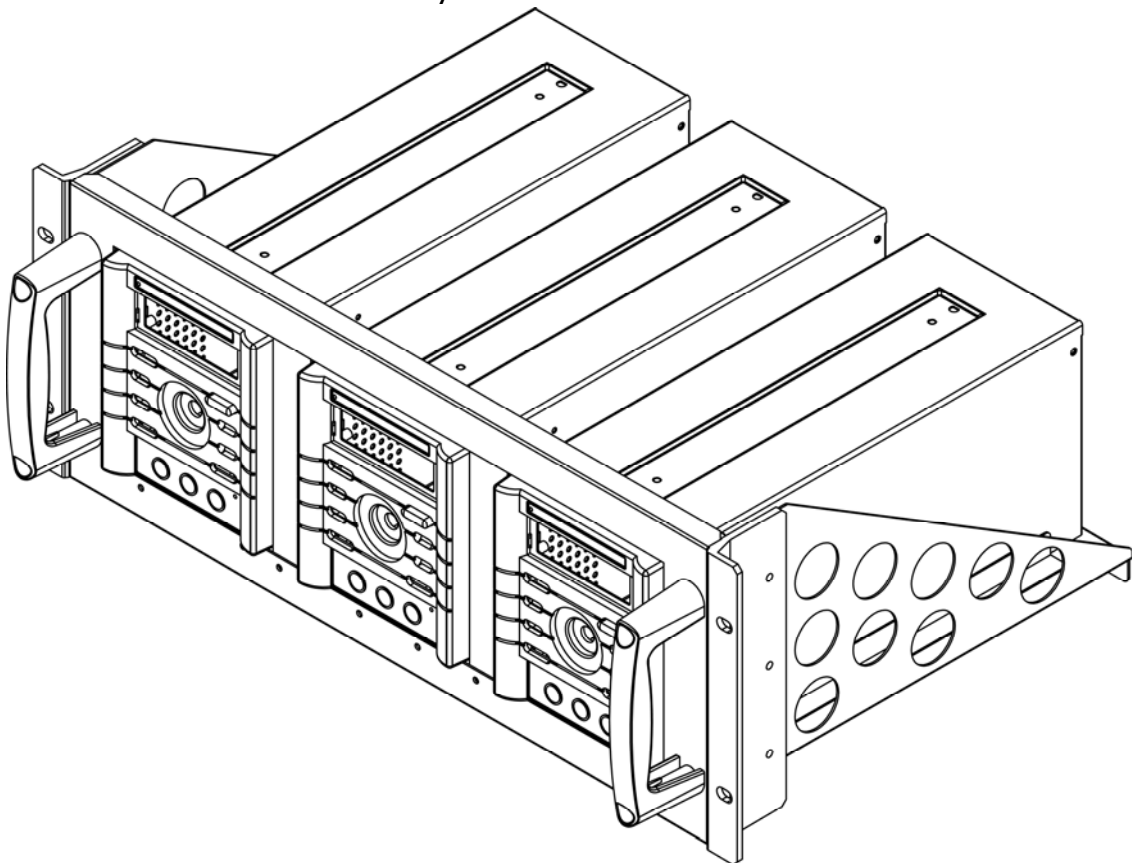
# GRA-408

The GRA-408 4U 19" rack mount is suited for the PSS series D.C. (PSS-2005, PSS-3203) power supplies. Incorporating a strong frame and robust design, the GRA-408 can fit up to three PSS series power supplies.

---

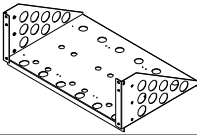
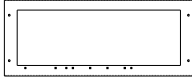



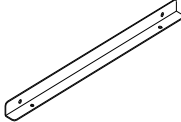

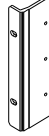
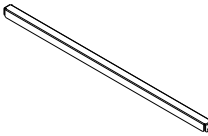




Component List..... 2

Assembly..... 3



# Component List

Description Please check to make sure all the components of the GRA-408 rack mount kit are provided.

Components	Item No.	Item	Quantity
	1	Main Bracket 	1
	2	Front Panel 	1
	3	Large Face Plate 	1
	4	Medium Face Plate 	2
	5	Small Face Plate 	2
	6	Binding Plate 	6
	7	Handle 	2
	8	4U Bracket 	2
	9	Instrument Hold Plate 	1
	10	BMS-M4*10 	6
	11	BMS-W-M3*8 	20
	12	FMS-M3*8 	4
	13	PMS-M4*10 	4

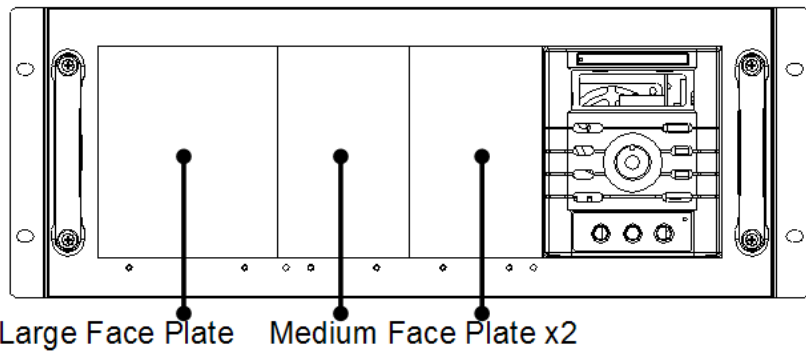
# Assembly

**Description** Assembly of the GRA-408 rack mount depends on the number of PSS series power supplies that are to be mounted.

**Steps** 1. Select the type and amount of face plates required.  
See the diagrams below to determine the correct configuration.

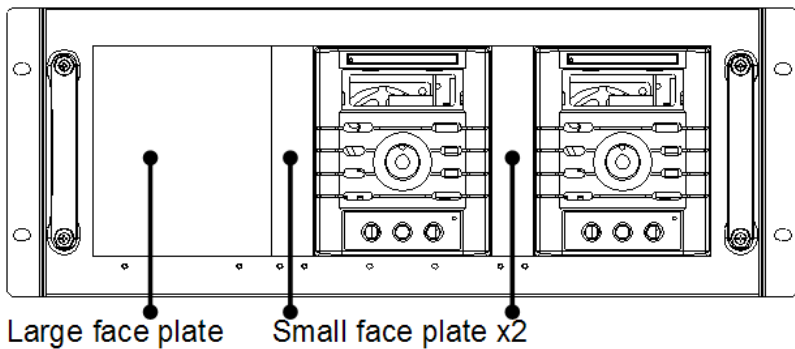
**1 power supply unit:**

- Large Face Plate x1
- Medium Face Plate x2



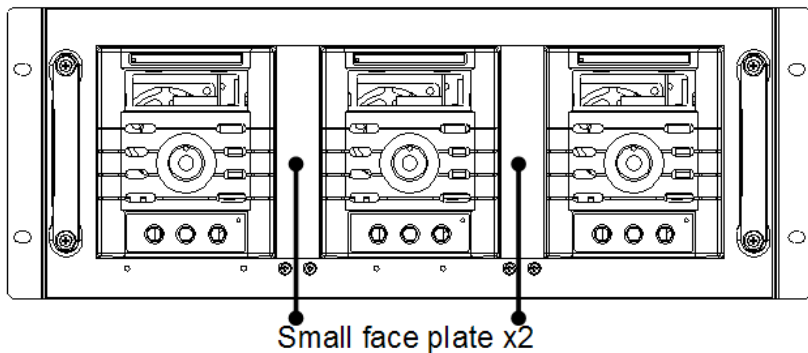
**2 power supply units:**

- Large Face Plate x1
- Small Face Plate x2

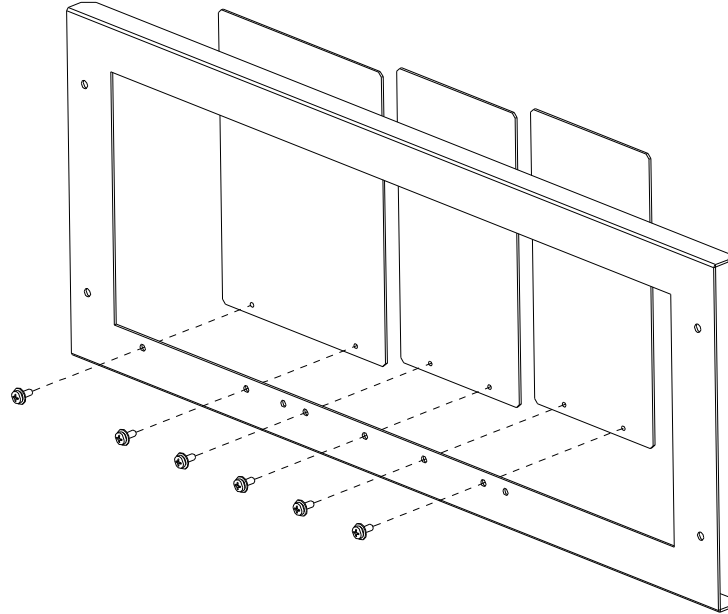


**3 power supply units:**

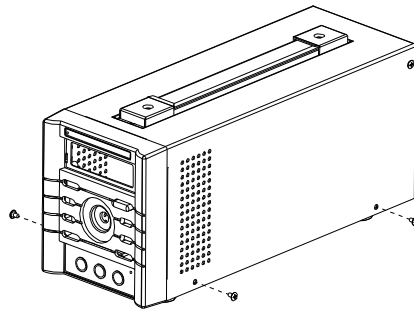
- Small Face Plate x2



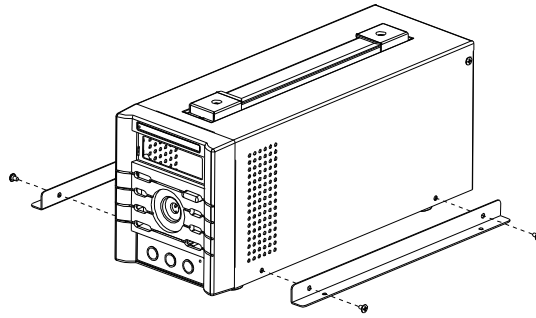
2. Screw the selected face plates into the inside of the Front Panel (2) using the BMS-M4\*10 (11) screws.



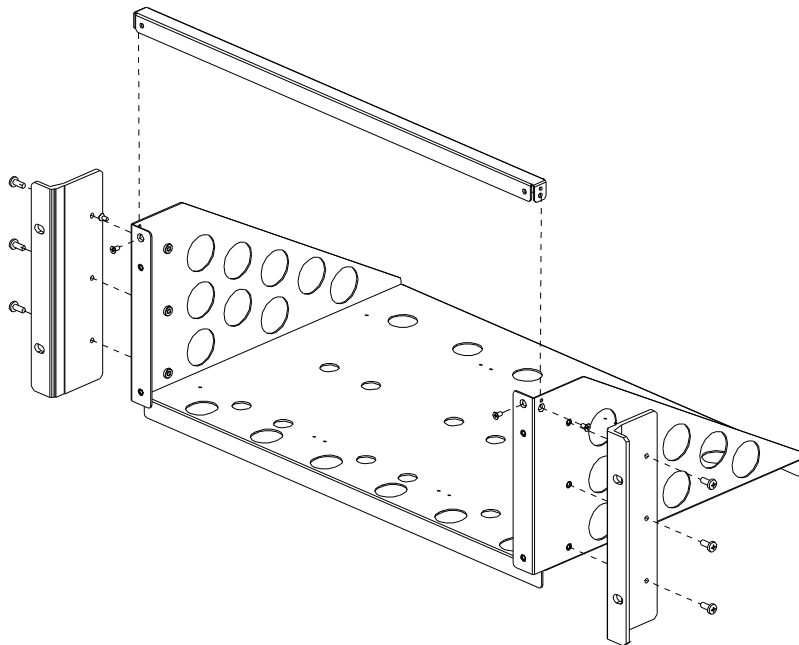
3. Remove the M3 screws from the bottom sides of the PSS power supply unit(s).



- Using the screws from step 3, attach the Binding Plate to the power supply unit(s).



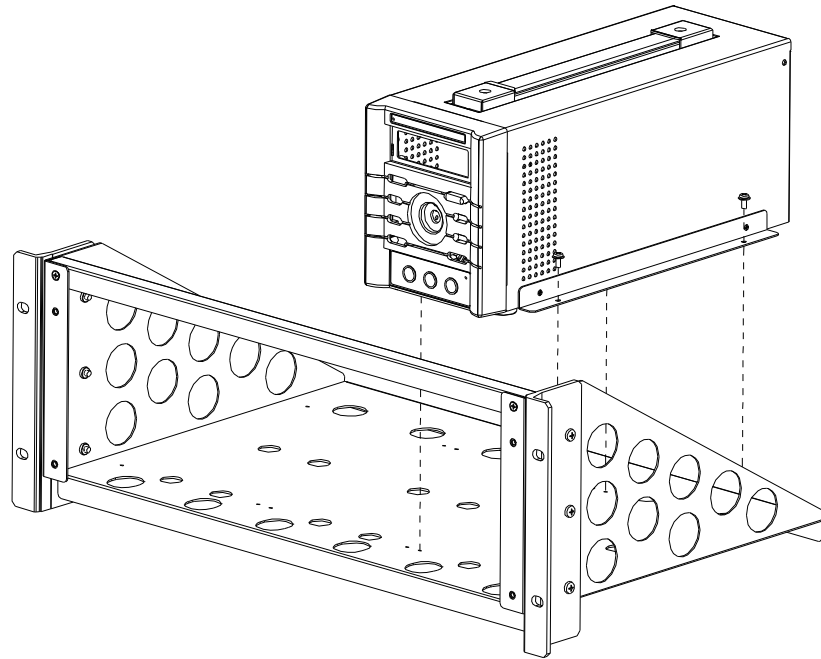
- Screw the Instrument Hold Plate (9) onto the inside of the Main Bracket using FMS-M3\*8 (12) screws
- Screw the 4U Brackets (8) into place using the BMS-M4\*10 (10) screws.



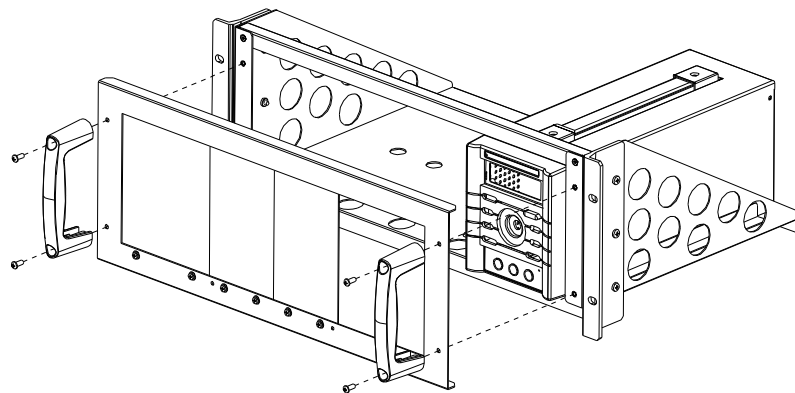
7. Mount the power supply unit(s) into the Main Bracket (1) using the BMS-W-M3\*8 screws (11).

**NOTE**

Ensure unit placement is correct before fastening the screws.

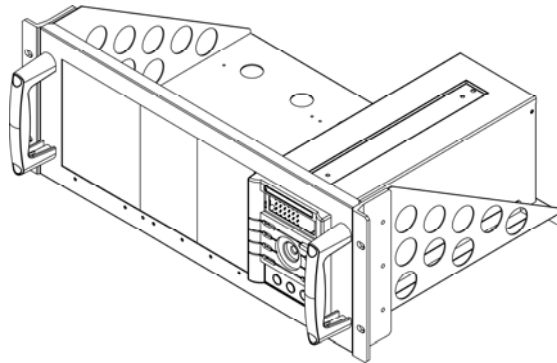
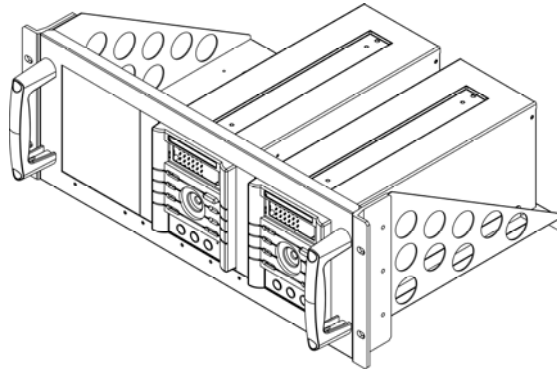
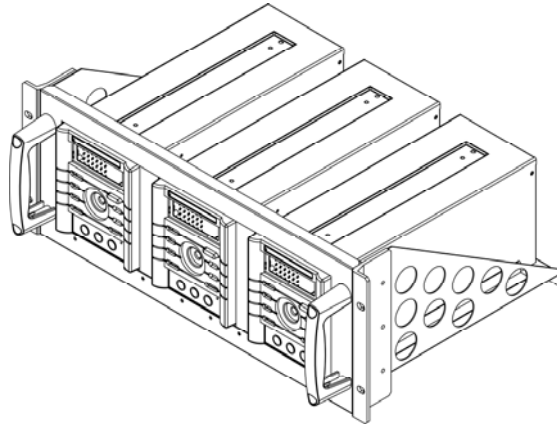


8. Screw the handles (7) through the Front Panel (2) into the Main Bracket (1) using the PMS-M4\*10 (13) screws.





Depending upon the configuration, the GRA-408 Rack Adapter Panels should resemble those shown below.



9. Mount the panels into an appropriate rack.

Complete

Assembly is complete.